

Aseptic Valves

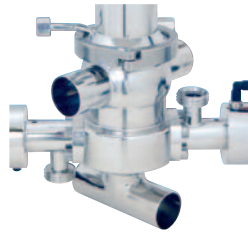
GEMBRA



KIESELMANN
FLUID PROCESS GROUP

Completely Aseptic

The GEMBRA series of process valves represents the pinnacle of aseptic design. Using established and well proven hermetic shaft isolation methods but in an updated form we are able to deliver not just the highest security but also longer life.



Available in single seat, changeover, tank outlet and also in leakage safe double seat and double seat tank outlet configurations.

Completely Aseptic!

The flagship of the GEMBRA range is a true double seat valve in aseptic form. The design integrates the fundamentals of double seat protection with the stringent requirements of aseptic processes.

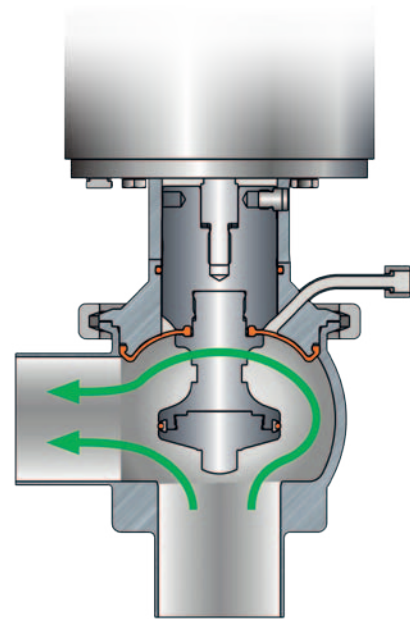
The diaphragm technique allows an optimal transition of product thanks to its large opening range and tangential incoming flow of the diaphragm. The dead-space free housing coupled with the design of the diaphragm results in a gentle flow that preserves product quality.

All seals in contact with product are made of the approved sealing materials *k-flex* and PTFE. They do not only ensure a long service life, high resistance to aggressive media and temperatures but are also very easy to clean.

TECHNICAL DATA	
Installation sizes:	DN 40–80 tube grade acc. to DIN EN 10357 - Series A DIN 11866 Series A
Materials	
Product contact:	1.4404 / AISI 316L
Non-product contact:	1.4301 / AISI 304
Seal materials	<i>k-flex</i> / PTFE
Product contact:	(FDA compliant)
Surfaces Product contact:	Ra ≤ 0.8 µm e-polished
Product temperature:	max. 95° C
Sterilisation temperature:	max. 140° C, 30 min.
Ambient temperature:	+4° – +45° C
Product pressure	DN 40–65
Valve functions:	max. 10 bar DN 80 max. 8 bar
Membrane pressure resistance:	max. 30 bar
Control air:	5.5–8 bar

Advantages of GEMBRA Technology

- ▶ Contamination free aseptic function due to diaphragm
- ▶ Hygienic design with excellent cleanability
- ▶ Durable *k-flex* and PTFE seal materials
- ▶ Big opening stroke
- ▶ Product conserving media flow
- ▶ Fast and simple assembly with easily accessible parts
- ▶ Cost efficient maintenance



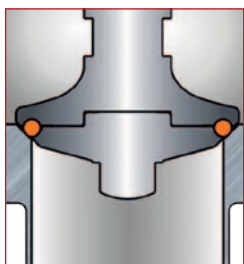
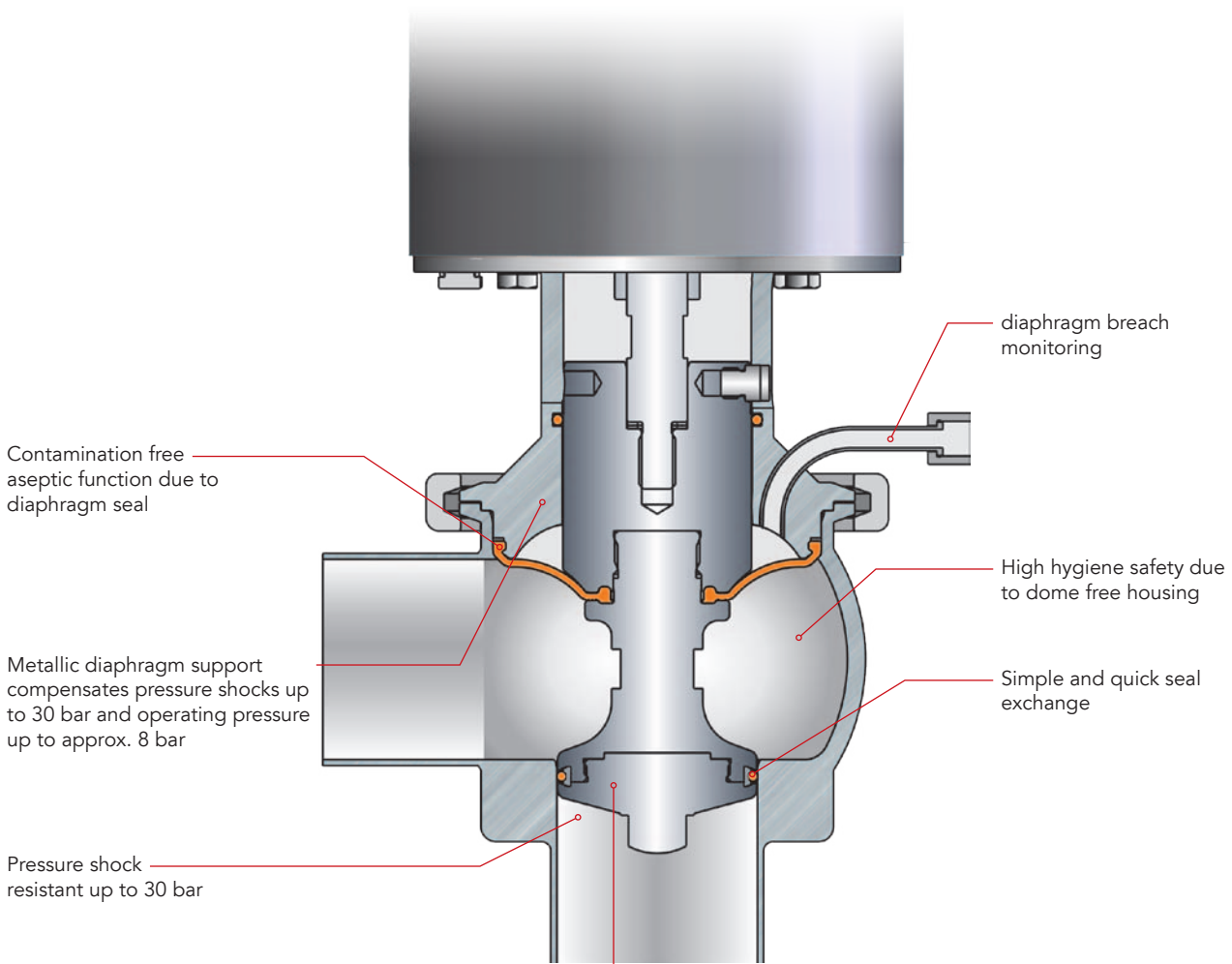
Optimised flow in the GEMBRA valve

Diaphragms made of PTFE form the hermetic shaft seal and benefit greatly from a high level of flexibility even when there are rapid temperature changes. The high temperature resistance, low flow resistance and dynamic profile of the diaphragm ensure high process reliability. The smooth and even contour of the diaphragms and the high surface quality of the stainless steel housing allow a free product flow and optimal cleaning.



GEMBRA Single Seat Valve with Radial Seat

Secure expulsion of fruit pieces from the seal



Alternative: GEMBRA Single Seat Valve with Axial Sealing

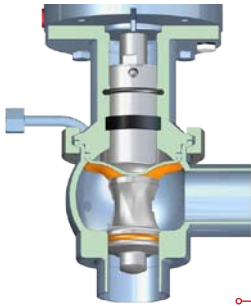
This version benefits from a longer stroke to allow large particles to pass through the valve unhindered.

k-flex sealing with metallic stop



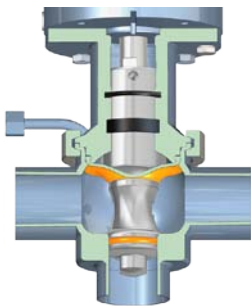
Housing types:
Angle, Tee, Changeover and Tank outlet valve

GEMBRA Single Seat Valves – the suitable Valve for each Application



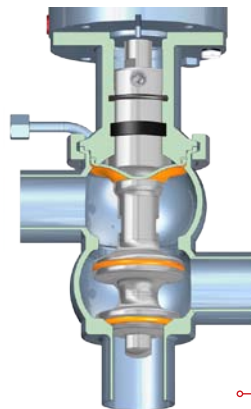
GEMBRA Single Seat Angle Valves:

- ▶ Contamination free, aseptic shut off



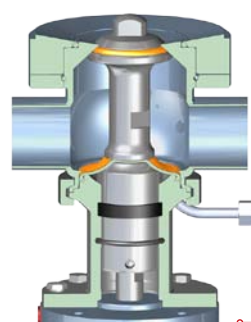
GEMBRA Single Seat T-Valves:

- ▶ Contamination free, aseptic shut off and distribution



GEMBRA Single Seat Changeover Valves:

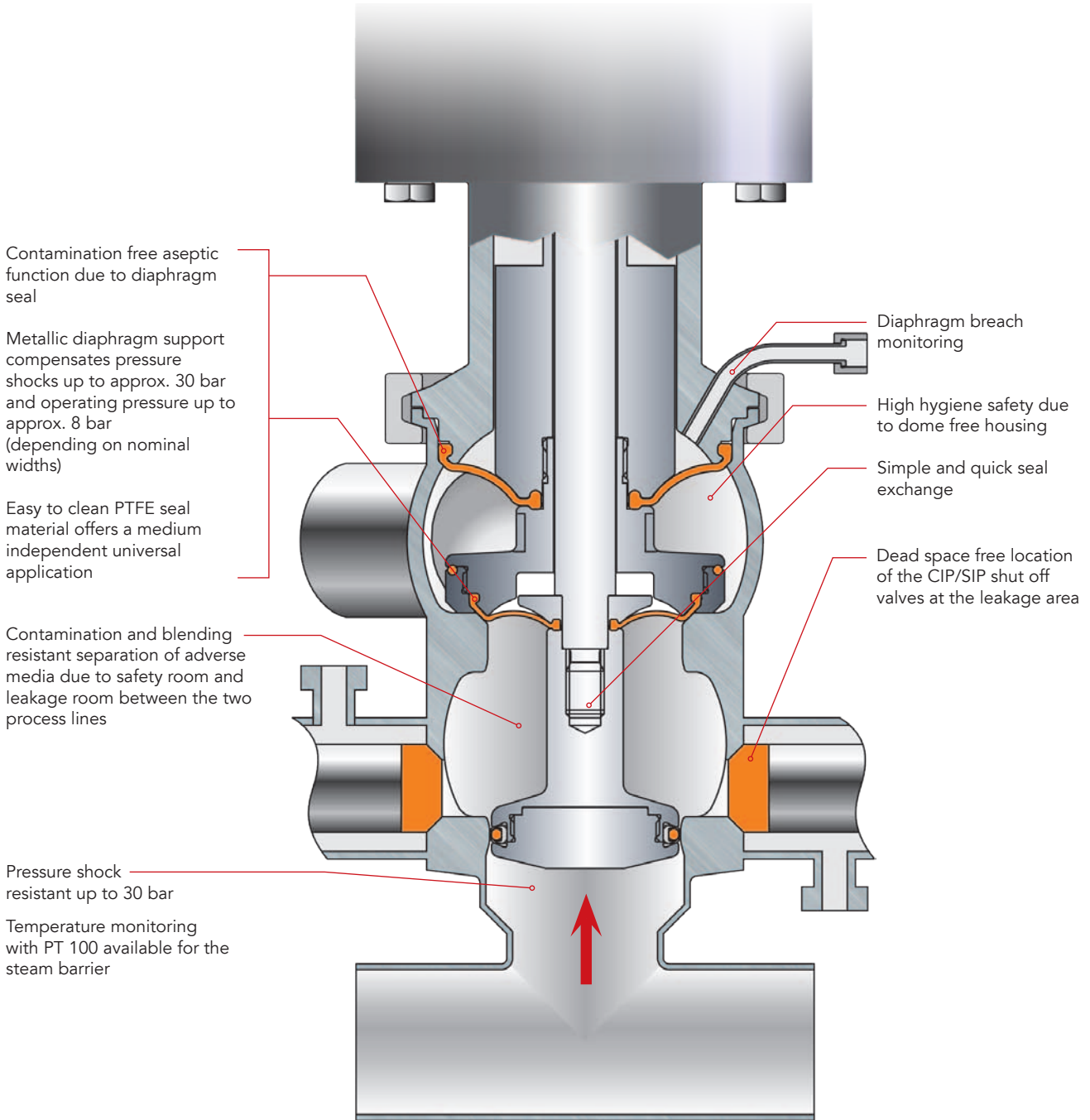
- ▶ Contamination free, aseptic shut off, switching and distribution



GEMBRA Single Seat Tankoutlet Valves:

- ▶ Contamination free, aseptic draining and filling of the vessel

GEMBRA Double Seat Valves – the strongest Argument for aseptic Process Reliability

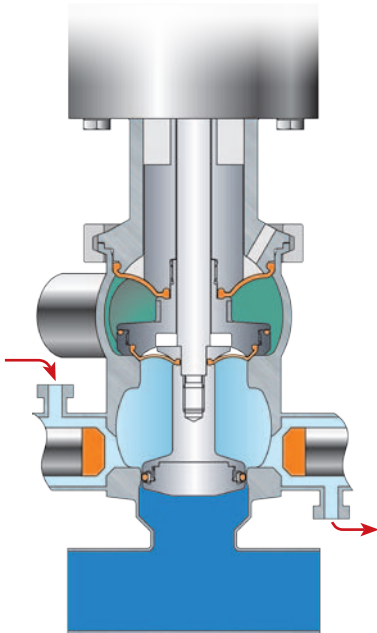


GEMBRA double seat valve with PT 100



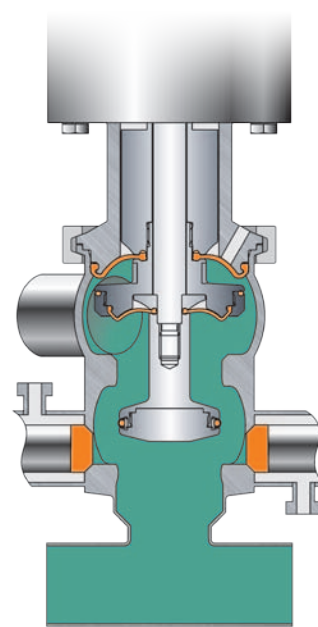
Housing types:
Double seat routing valves, double seat tank outlet valve

Valve Functions GEMBRA Double Seat Valves



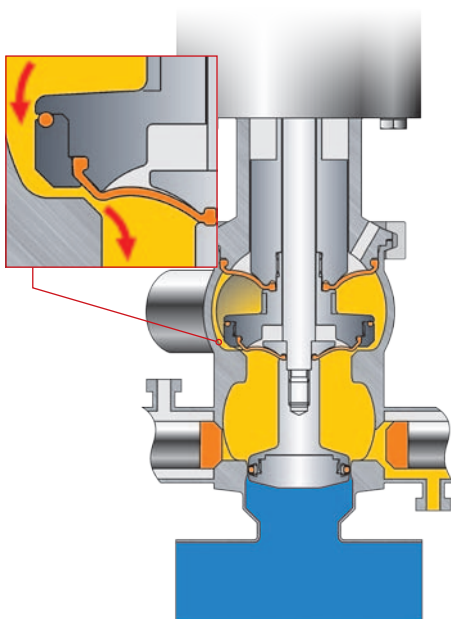
Valve closed

- ▶ Steam barrier active



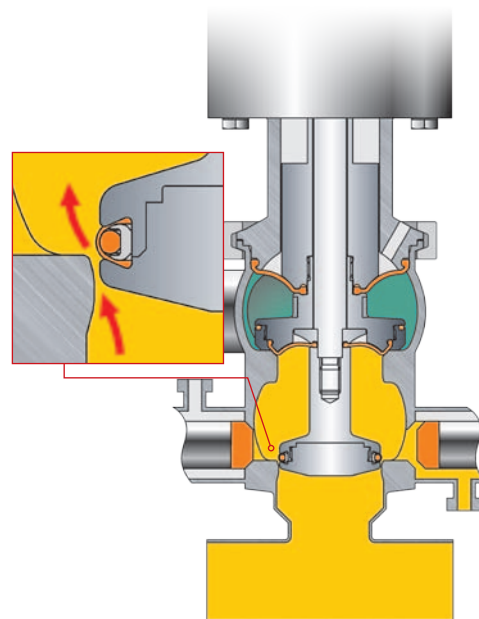
Valve open

- ▶ Steam barrier inactive
- ▶ In-/outlet valve closed



Cycle top

- ▶ Upper seat cleaning drain valve open



Cycle bottom

- ▶ Lower seat cleaning drain valve open

For your Advantage – The FLUID PROCESS GROUP

The FLUID PROCESS GROUP is the association of companies incorporated by the KIESELMANN GmbH. Through this broad competency network we can optimize our synergies to realize complex projects – gladly acting as General Contractor – with resulting advantages for the client.



Paul-Kieselmann-Str. 4-10
75438 Knittlingen, Germany
Phone +49 (0)70 43 371-0
Fax +49 (0)70 43 371-125
www.kieselmann.com
info@kieselmann.de



KIESELMANN GmbH
Innovative, reliable Valves
Process Components & Fittings
Beverage Tubes
Units



KIESELMANN Anlagenbau GmbH
Planning and Engineering
CIP-Plants
Flash Pasteurizers
Pigging Technology
Process Automation



Lautlinger Weg 3
70567 Stuttgart (Möhringen), Germany
Phone +49 (0)711 7 67 26 60
Fax +49 (0)711 7 67 26 69
www.va-group.de
info@va-group.de



VA Food Processing GmbH
Planning and Engineering
for Food and Dairy Process Technology
Membrane Filtration
Process Automation



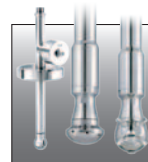
Rötestraße 19
74321 Bietigheim-Bissingen, Germany
Phone +49 (0)71 425 81-0
Fax +49(0)71 425 81-99
www.rieger-behaelterbau.de
info@rieger-behaelterbau.de



RIEGER Behälterbau GmbH
Stainless Steel Tanks
Manufacturing of Machinery
Agitated Vessels
Juice Complete-Extractors



Ferdinand-von-Steinbeis-Ring 31
75447 Sternenfels, Germany
Phone +49 (0)70 45 204 98-0
Fax +49 (0)70 45 204 98-90
www.aquaduna.org
info@aquaduna.com



AquaDuna GmbH & Co KG
Cleaning Technology
Automation Electronics
Mechatronics
Medical Technology

