

Field of Application

The pressure and suction valve is used to prevent overpressure and underpressure in tanks and vessels in plants of the food and drink industry.



ATTENTION

There is a danger of injury and damage if the fitting is not used in compliance with the safety information and the technical data. The personnel must be trained based on the operating instructions.

Safety Instructions



DANGER

• Dismantling the valve or valve assemblies from the plant can cause injuries from fluids or gases flowing out. Dismantle the valve or valve assembly only when the plant has been rendered pressure-less and free of liquid and gas.

Function

The pressure and suction valve is used to prevent inadmissible overpressure and underpressure of gaseous media in tanks, vessels and plant sections. Overpressure and underpressure are regulated about a membrane.

Technical Data

Connection: DIN 11851

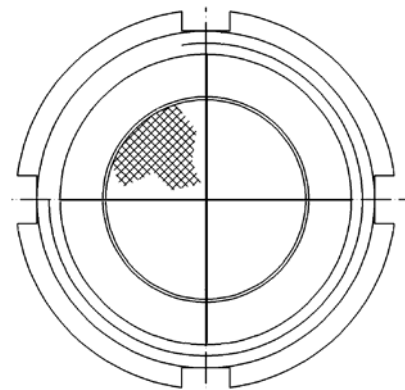
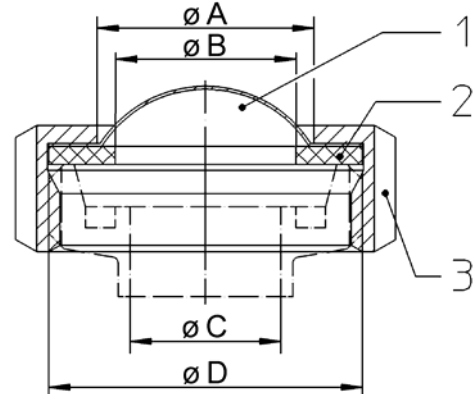
Temperature: + 95°C medium dependent

Material: in product contact | not in product contact

Stainless steel: - | 1.4301 AISI304

Surfaces: RA 0,8µm | RA 1,5-2,5µm E-polished

Seals: NBR



Nominal width

	25	32	40	50	65	80	100
A	36	42	49	62	80	94	115
B	30	36	42	54	70	84	105
C	26	32	38	50	66	81	100
D	thread DIN 405						

DN	Valve type Article - No.	Item. 1 Protecting cage	Item. 2 Membrane	Item. 3 Union nut
25	6136 025 000-021 6136 025 000-041	6168 020 000-021	6137 025 000-067	NBR 2003 025 000-021 2003 025 000-041
32	6136 032 000-021 6136 032 000-041	6168 025 000-021	6137 032 000-067	NBR 2003 032 000-021 2003 032 000-041
40	6136 040 000-021 6136 040 000-041	6168 032 000-021	6137 040 000-067	NBR 2003 040 000-021 2003 040 000-041
50	6136 050 000-021 6136 050 000-041	6168 040 000-021	6137 050 000-067	NBR 2003 050 000-021 2003 050 000-041
65	6136 065 000-021 6136 065 000-041	6168 050 000-021	6137 065 000-067	NBR 2003 065 000-021 2003 065 000-041
80	6136 080 000-021 6136 080 000-041	6168 065 000-021	6137 080 000-067	NBR 2003 080 000-021 2003 080 000-041
100	6136 100 000-021 6136 100 000-041	6168 090 000-021	6137 100 000-067	NBR 2003 100 000-021 2003 100 000-041